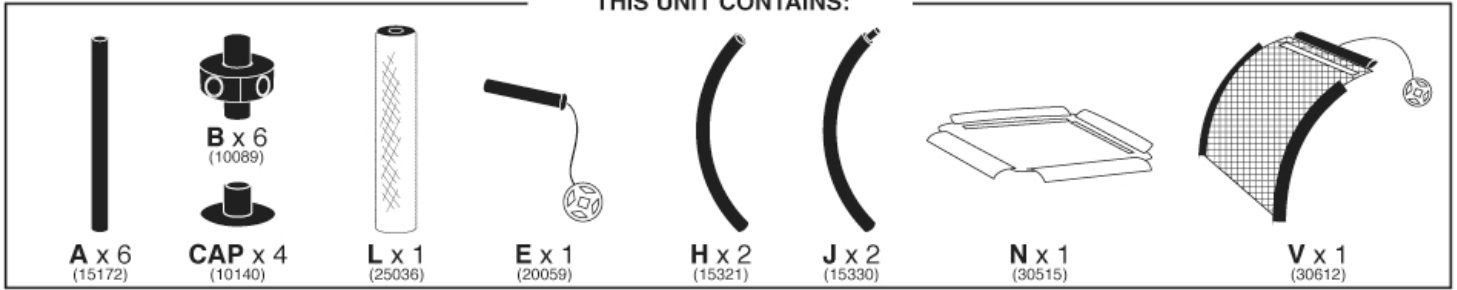


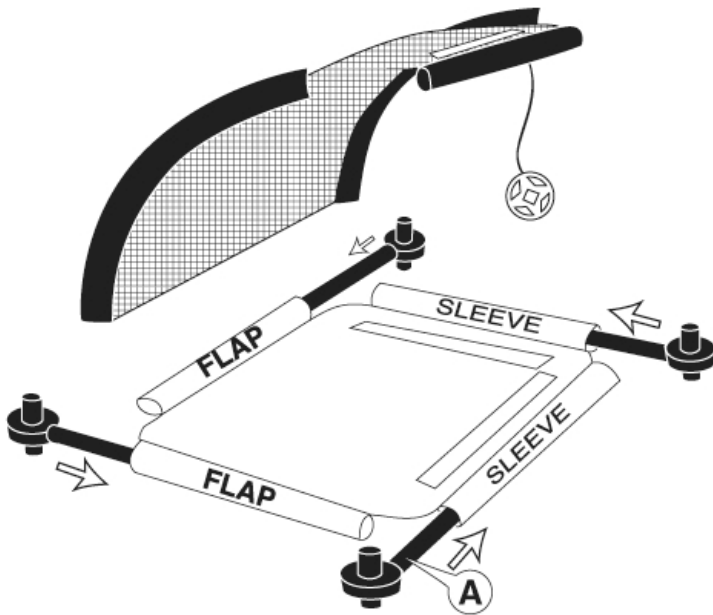
Climbing Hill

THIS UNIT CONTAINS:



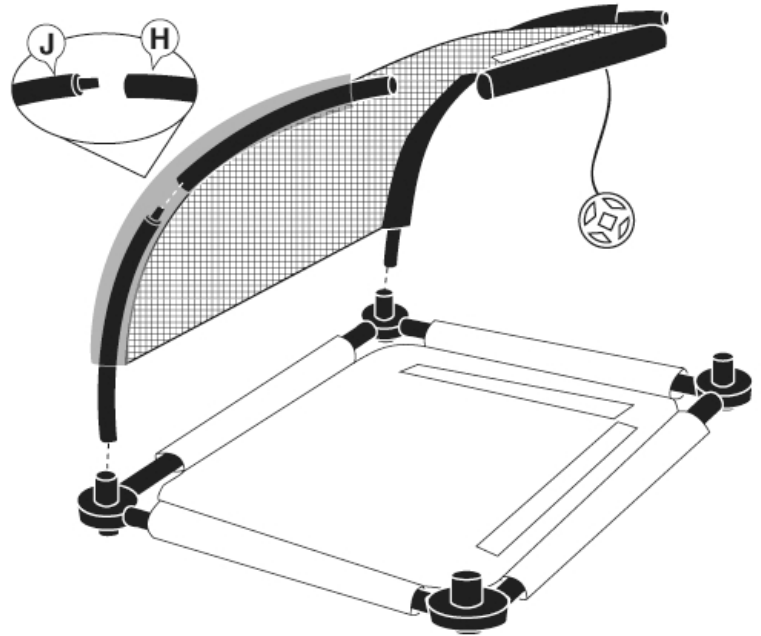
STEP 1

Slide PIPES "A" through SLEEVES and FLAPS of PLATFORM "N" as shown and insert pipes into joints.



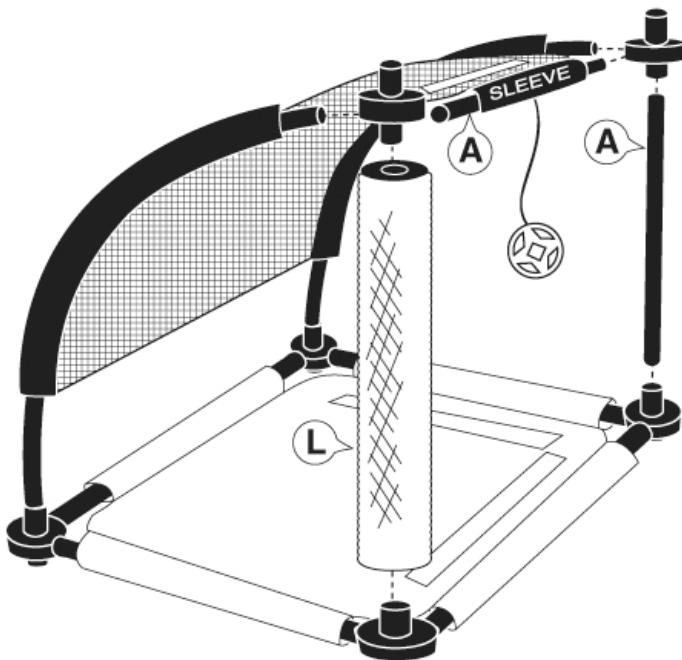
STEP 2

Slide connected PIPES "H" and "J" through SLEEVES of RAMP "V" as shown and insert pipes into joints.



STEP 3

Insert PIPES "A" and POST "L" as shown.



STEP 4

Finally attach CAPS and TOY "E."

