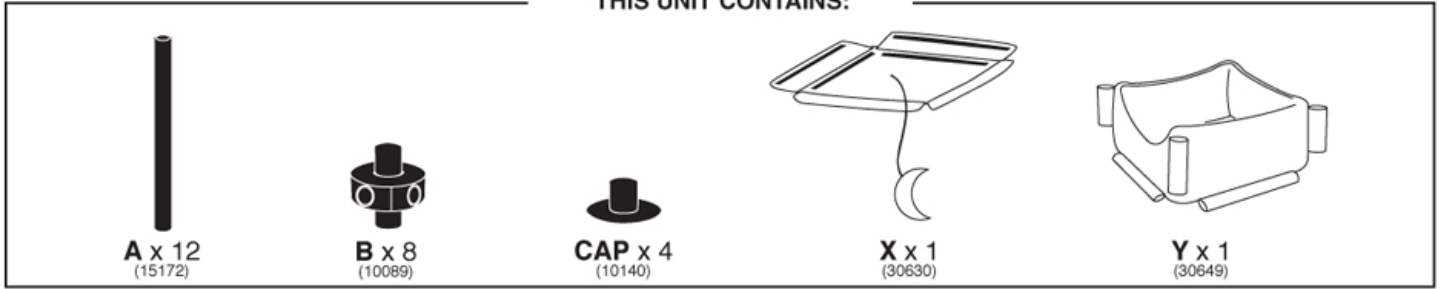


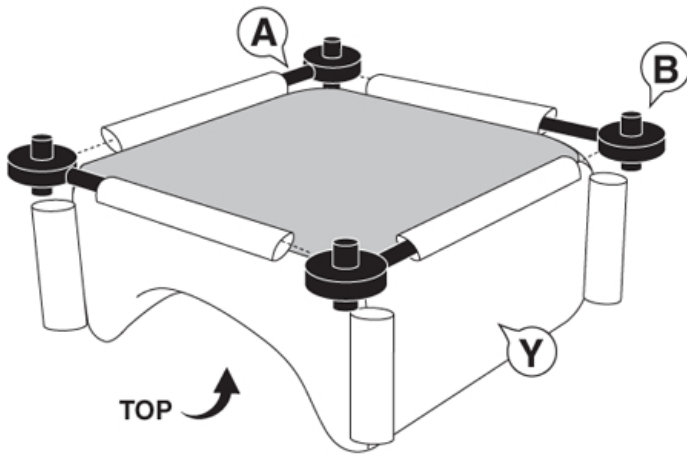
Cozy Bed

THIS UNIT CONTAINS:



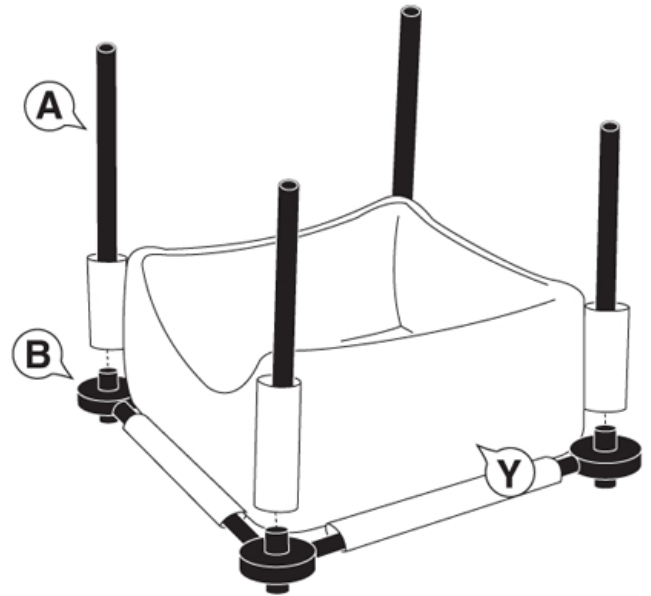
STEP 1

Place TOP of BED "Y" on the ground. Slide PIPES "A" through SLEEVES of BED "Y" as shown and insert pipes into joints.



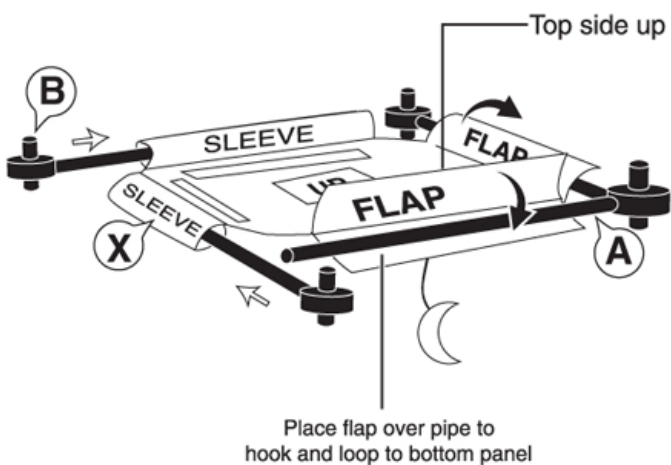
STEP 2

Rotate BED "Y" so the TOP is facing up. Slide PIPES "A" through SLEEVES of BED "Y" as shown and insert pipes into joints.



STEP 3

Using PLATFORM "X," slide pipes through SLEEVES and hook and loop FLAPS over pipes as shown. Insert pipes into joints.



STEP 4

Attach PLATFORM "X" to assembled base and attach CAPS last.

