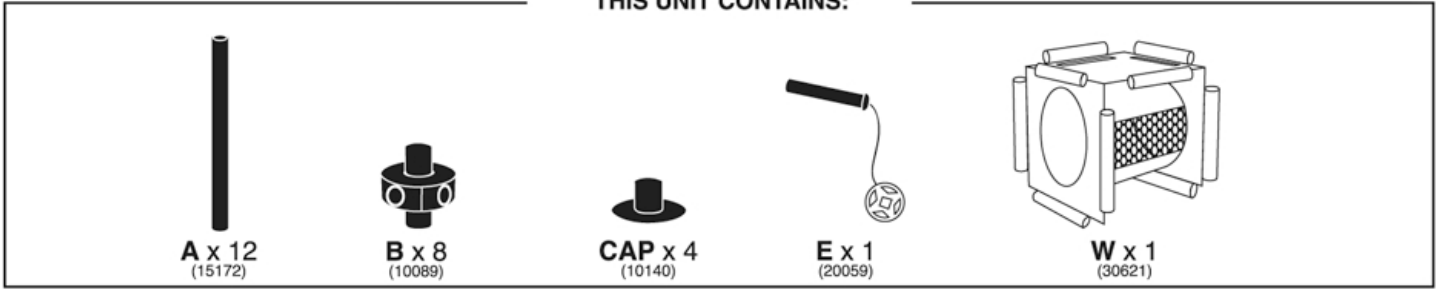


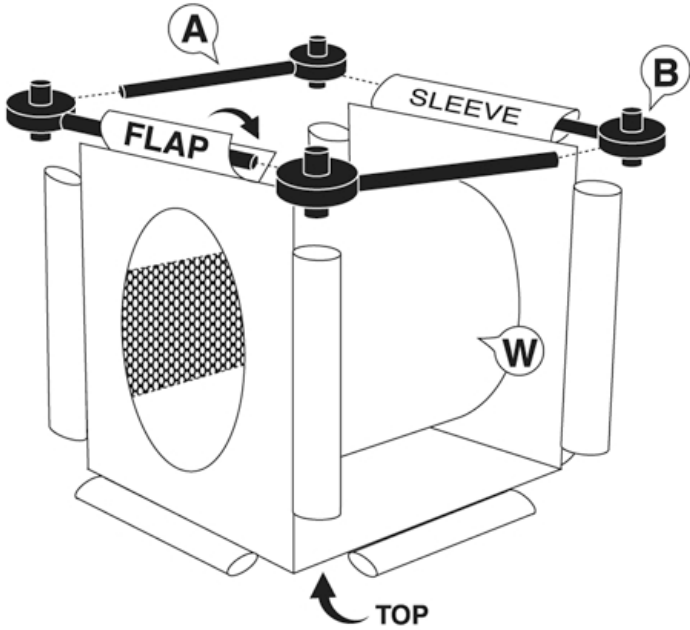
Peek-A-Boo Passage

THIS UNIT CONTAINS:



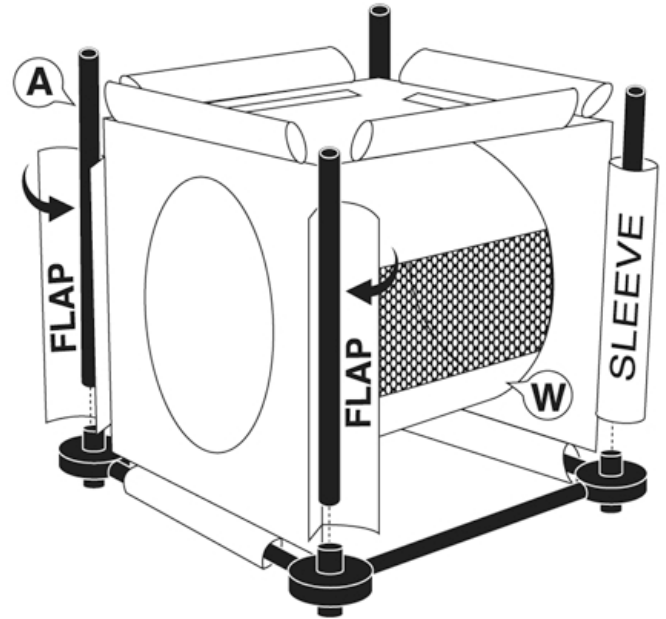
STEP 1

Place TOP of TUNNEL "W" on the ground. Slide PIPES "A" through SLEEVE, and hook and loop FLAP of TUNNEL "W" as shown and insert pipes into joints.



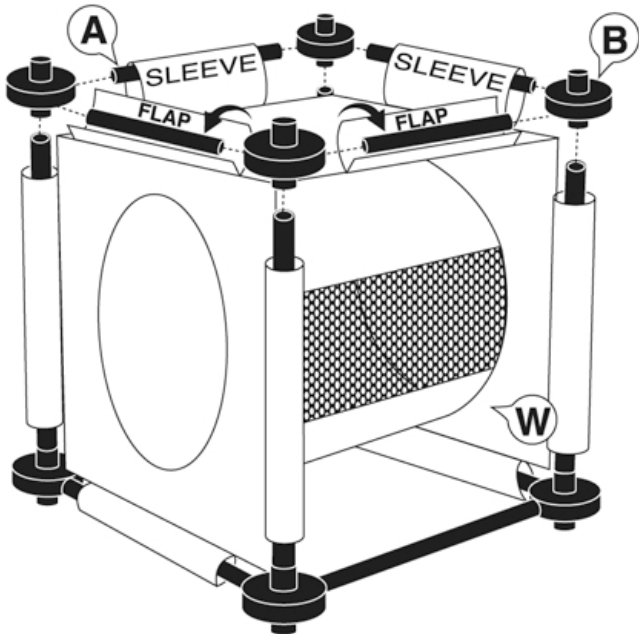
STEP 2

Rotate TUNNEL "W" so the TOP is facing up. Slide PIPES "A" through SLEEVES, and hook and loop FLAPS of TUNNEL "W" as shown and insert pipes into joints.



STEP 3

Slide pipes through SLEEVES, and hook and loop FLAPS of TUNNEL "W" over pipes as shown. Insert pipes into joints.



STEP 4

Attach CAPS and TOYS "E" last.

