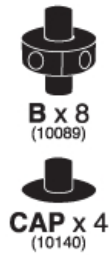


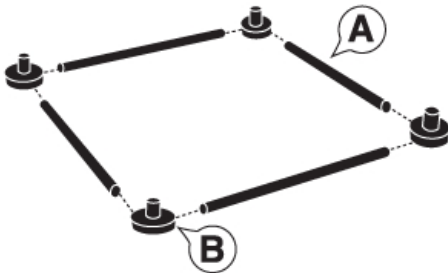
# Tower

THIS UNIT CONTAINS:



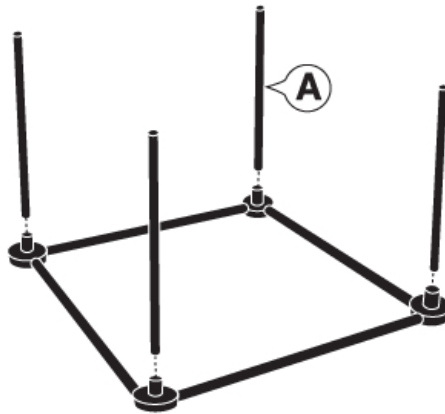
## STEP 1

Assemble base as shown.



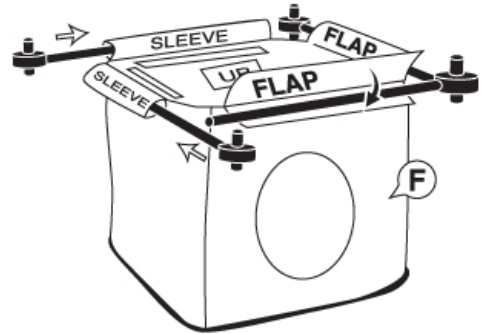
## STEP 2

Insert PIPES "A."



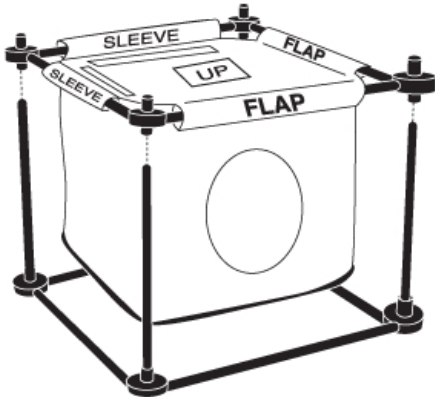
## STEP 3

Using CUBE "F," slide pipes through SLEEVES and hook and loop FLAPS over pipes as shown. Insert pipes into joints.



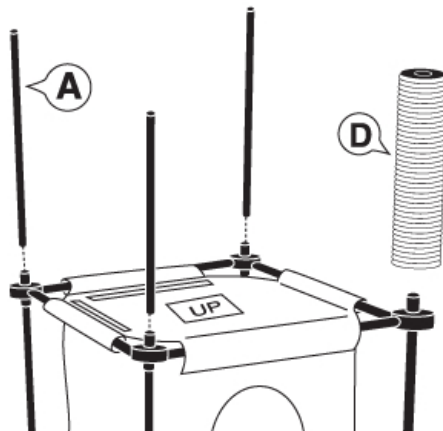
## STEP 4

Attach completed CUBE "F" to base.



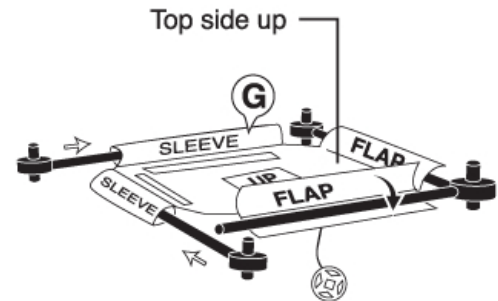
## STEP 5

Insert PIPES "A" and POST "D."



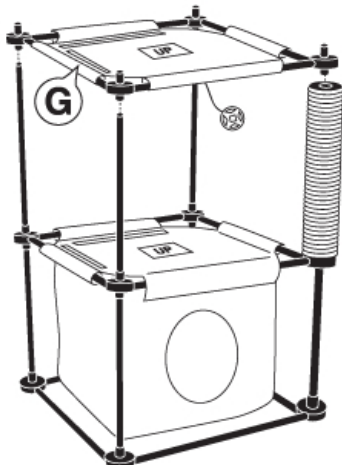
## STEP 6

Using PLATFORM "G," slide pipes through SLEEVES and hook and loop FLAPS over pipes as shown. Insert pipes into joints.



## STEP 7

Attach PLATFORM "G" to assembled unit.



## STEP 8

Attach CAPS and TOY "E."

