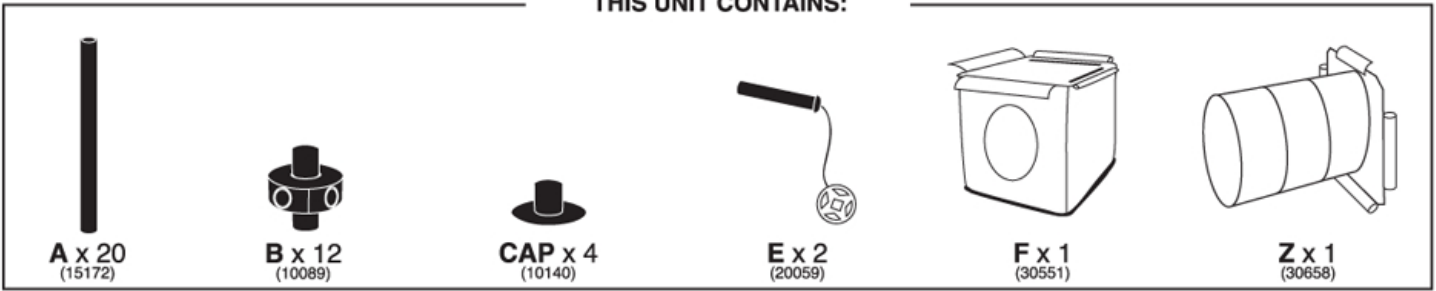


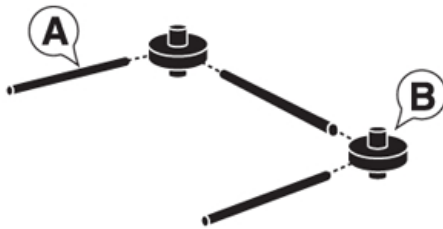
# Tunnel Tower

THIS UNIT CONTAINS:



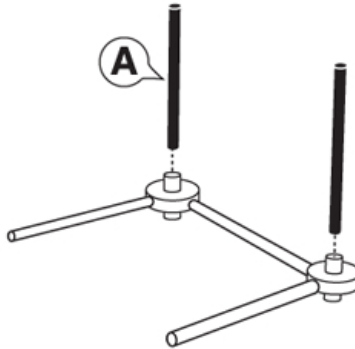
## STEP 1

Insert PIPES "A" into JOINTS "B" and assemble base as shown below.



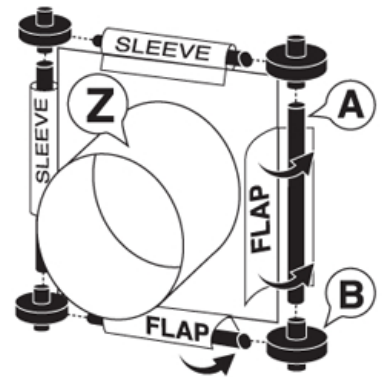
## STEP 2

Insert PIPES "A."



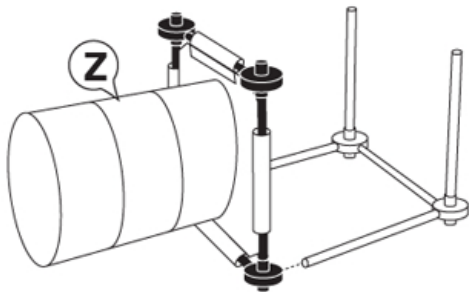
## STEP 3

Using TUNNEL "Z," slide pipes through SLEEVES and hook and loop FLAPS over pipes as shown. Insert pipes into joints.



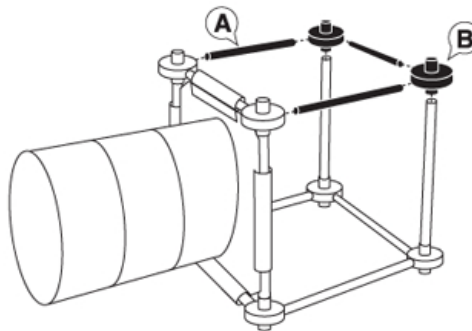
## STEP 4

Attach assembled TUNNEL "Z" to base as shown.



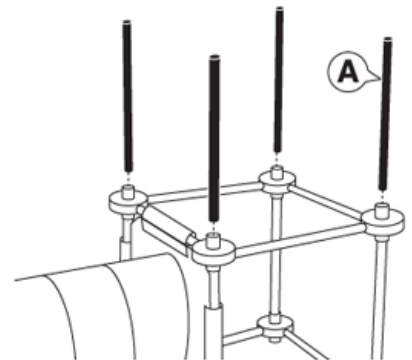
## STEP 5

Insert PIPES "A" and JOINTS "B."



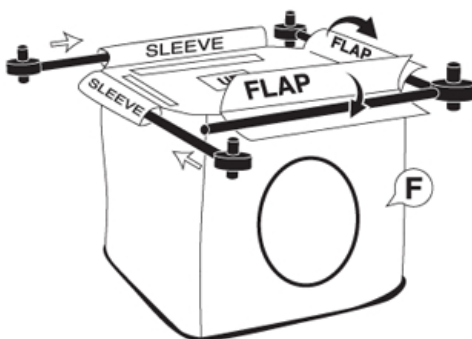
## STEP 6

Insert PIPES "A."



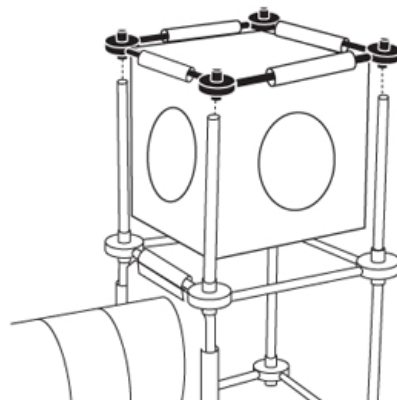
## STEP 7

Using CUBE "F," slide pipes through SLEEVES and hook and loop FLAPS over pipes as shown. Insert pipes into joints.



## STEP 8

Attach assembled CUBE "F."



## STEP 9

Attach CAPS and TOYS "E."

